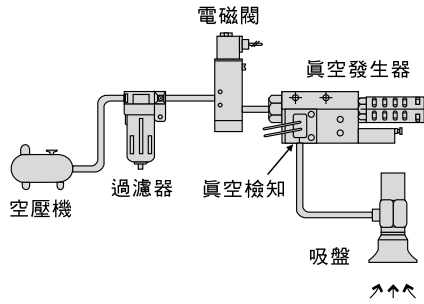


眞空吸盤

PA 系列

眞空吸盤使用概略



理論吸著力

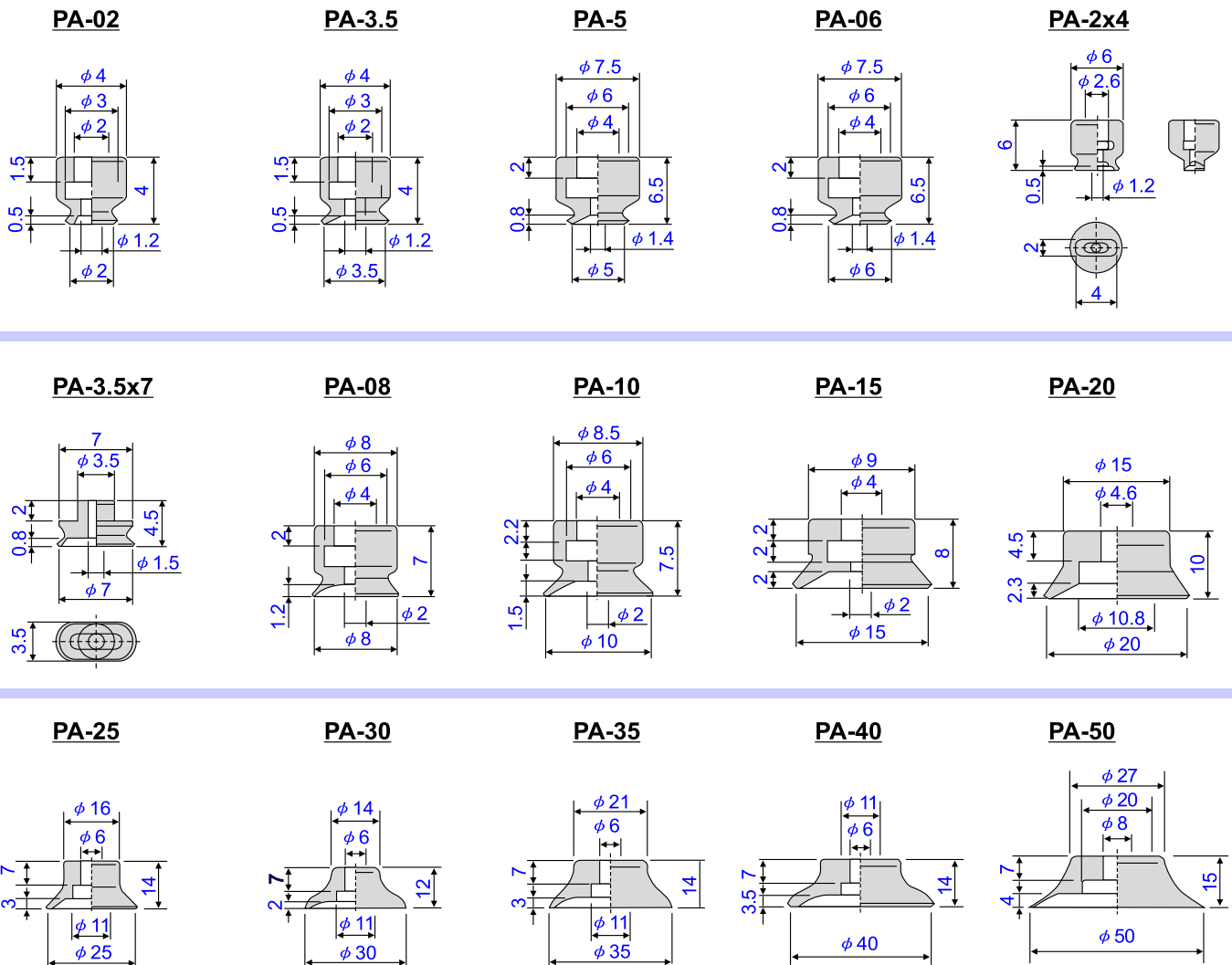
吸盤徑mm	φ2.5	φ3.5	φ6	φ8	φ10	φ15	φ20	φ25	φ30	φ35	φ40	φ50
吸盤面積Acm ²	0.049	0.096	0.283	0.502	0.785	1.766	3.14	4.906	7.65	9.616	12.56	19.63
眞空度												
-93.3(-700)	0.457 (0.047)	0.896 (0.091)	2.64 (0.269)	4.68 (0.48)	7.32 (0.75)	16.48 (1.68)	29.3 (2.99)	45.8 (4.67)	65.9 (6.72)	89.7 (9.15)	117.2 (11.95)	183.1 (18.63)
-80 (-600)	0.392 (0.040)	0.768 (0.078)	2.26 (0.231)	4.02 (0.41)	6.28 (0.64)	14.13 (1.44)	25.1 (2.56)	39.2 (4.00)	56.5 (5.76)	76.9 (7.84)	100.5 (10.24)	157 (16.01)
-66.7(-500)	0.327 (0.033)	0.640 (0.065)	1.89 (0.192)	3.35 (0.34)	5.24 (0.53)	11.78 (1.20)	20.9 (2.13)	32.7 (3.33)	47.1 (4.80)	64.1 (6.54)	83.8 (8.54)	130.9 (13.34)
-53.5(-400)	0.261 (0.027)	0.512 (0.052)	1.51 (0.154)	2.68 (0.27)	4.18 (0.43)	9.41 (0.96)	16.7 (1.71)	26.1 (2.67)	37.7 (3.84)	51.3 (5.23)	68.9 (6.83)	104.6 (10.67)
-40 (-300)	0.196 (0.020)	0.384 (0.039)	1.13 (0.115)	2.01 (0.20)	3.14 (0.32)	7.00 (0.72)	12.6 (1.26)	19.6 (2.00)	28.3 (2.88)	38.5 (3.92)	50.2 (5.12)	78.5 (8.00)
-26.7(-200)	0.131 (0.013)	0.256 (0.025)	0.76 (0.077)	1.34 (0.14)	2.10 (0.21)	4.72 (0.48)	8.4 (0.85)	13.1 (1.33)	18.9 (1.92)	25.7 (2.61)	33.5 (3.41)	52.4 (5.34)
-13.3(-100)	0.065 (0.007)	0.128 (0.013)	0.58 (0.059)	0.67 (0.07)	1.04 (0.11)	2.35 (0.24)	4.2 (0.43)	6.5 (0.67)	9.4 (0.96)	12.8 (1.31)	16.7 (1.71)	26.1 (2.67)

訂購方式

PA - YK - 25 - 15 - S
1 2 3 4 5

1	系 列	PA : 眞空吸盤
2	安 裝 方 式	YK : 固定式-橫向配管
		TK : 固定式-縱向配管
		YS : 彈簧式-橫向配管
		TS : 彈簧式-縱向配管
3	吸 盤 外 徑	φ2~φ200
4	彈簧緩衝行程	詳見尺寸表
5	吸 盤 材 質	無記號 : NBR橡膠(黑色)
		S : 矽膠(白色)

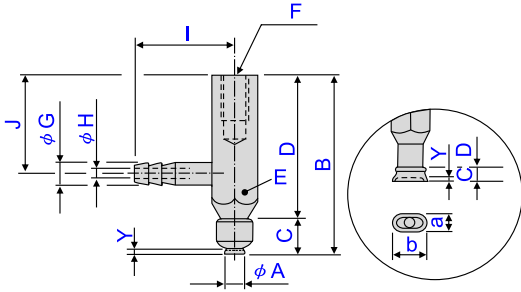
尺寸圖



YK 系列

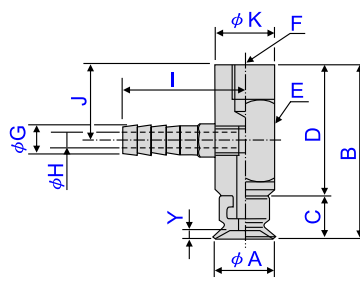
■固定式

眞空吸氣方向：橫向配管

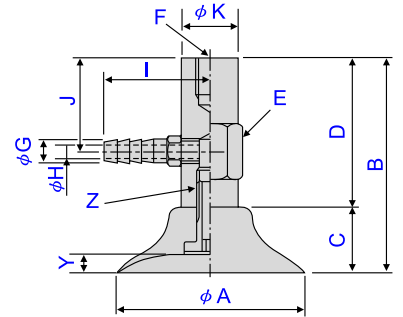


2A · 3.5A

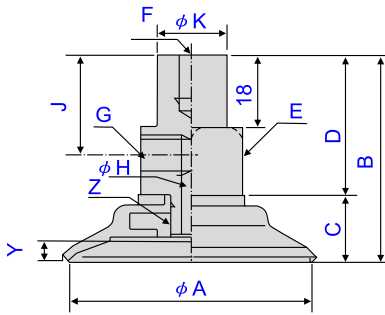
2x4 · 3.5x7



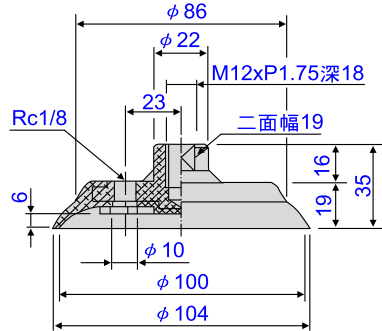
5A · 6A · 8A · 10A



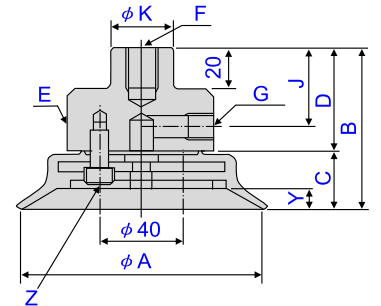
15~50



60~95



100



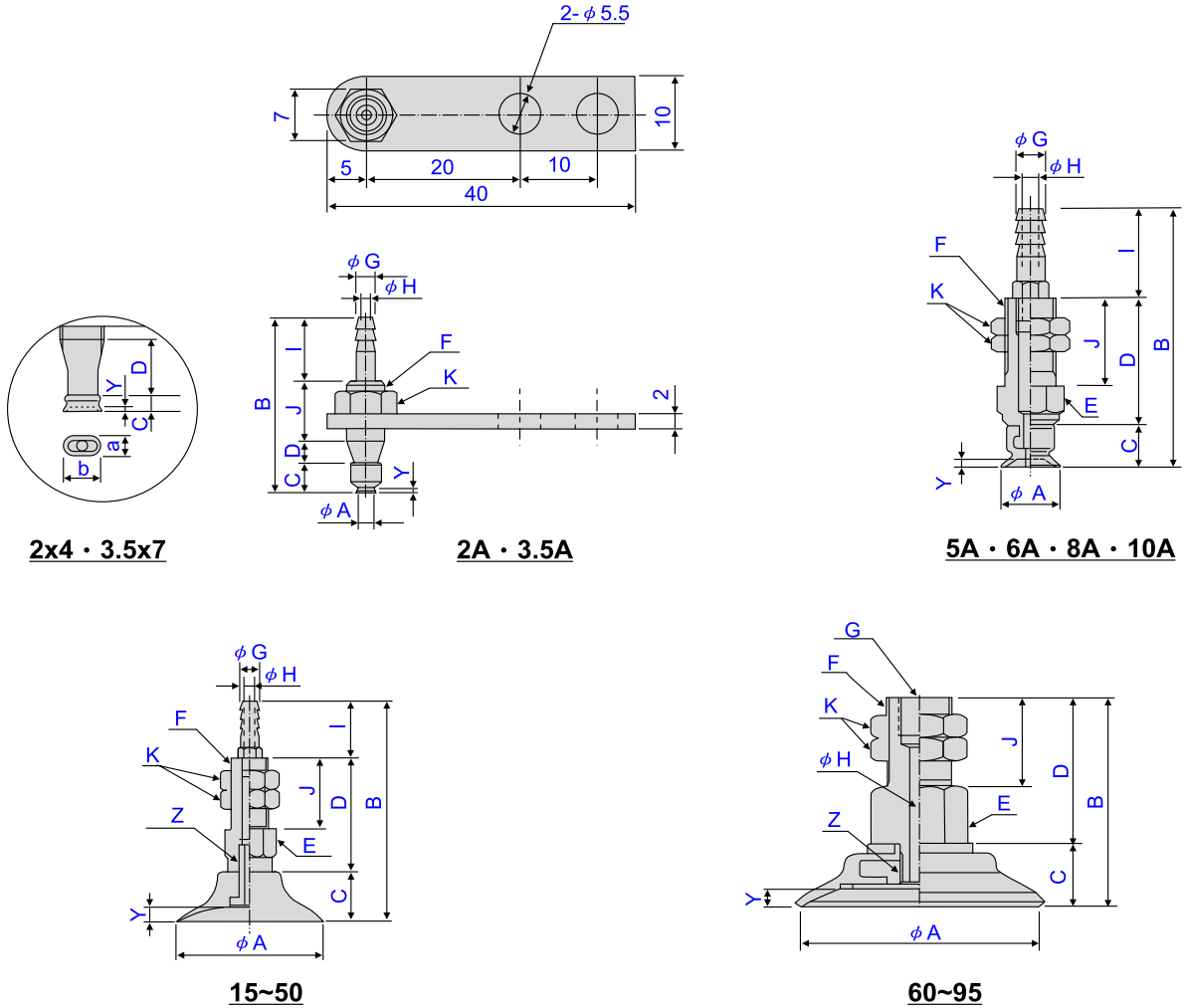
120~200

PA-YK	A	B	C	D	E	F	G	H	I	J	K	Y	Z	重量(g)
PA-YK-2A	2	20	4	16	5H	M3深5	φ 2.8	1.2	11	11	-	0.5	-	3
PA-YK-2x4	2x4	21.7	1.7	20	5H	M3深5	φ 2.8	1.2	11	11	-	0.5	-	3
PA-YK-3.5A	3.5	20	4	16	5H	M3深5	φ 2.8	1.2	11	11	-	0.5	-	3
PA-YK-3.5x7	3.5x7	22.5	2.5	20	5H	M3深5	φ 2.8	1.2	11	11	-	0.8	-	3
PA-YK-5A	5	29	6.5	22.5	10H	M4深6	5	3	21	13	10	0.8	-	16
PA-YK-6A	6	29	6.5	22.5	10H	M4深6	5	3	21	13	10	0.8	-	16
PA-YK-8A	8	29.5	7	22.5	10H	M4深6	5	3	21	13	10	1.2	-	16
PA-YK-10A	10	30	7.5	22.5	10H	M4深6	5	3	21	13	10	1.5	-	16
PA-YK-15	15	30	8	22	10H	M4深6	5	3	21	14	10	1.9	M5	20
PA-YK-20	20	32	10	22	10H	M4深6	5	3	21	14	10	2.3	M5	20
PA-YK-25	25	46	14	32	14H	M6深8	5	3	23	20	12	3	M6	40
PA-YK-30	30	44	12	32	14H	M6深8	5	3	23	20	12	2	M6	40
PA-YK-35	35	46	14	32	14H	M6深8	5	3	23	20	12	3	M6	40
PA-YK-40	40	46	14	32	14H	M6深8	5	3	23	20	12	3.5	M6	50
PA-YK-50	50	47	15	32	14H	M6深8	5	3	23	20	12	4	M8	55
PA-YK-60	60	58.5	18.5	40	21H	M8深11	G1/8	5	-	28	17	5	M10xP1.25	120
PA-YK-80	80	60.5	20.5	40	21H	M8深11	G1/8	5	-	28	17	6	M10xP1.25	160
PA-YK-95	93	61	21	40	21H	M8深11	G1/8	5	-	28	17	6	M10xP1.25	210
PA-YK-100														140
PA-YK-120	120	75.5	25.5	50	φ 70	M16深20	G1/8(1/4)	-	-	38	30	6	4-M8	640
PA-YK-150	150	82.5	32.5	50	φ 70	M16深20	G1/8(1/4)	-	-	38	30	9	4-M8	910
PA-YK-200	200	87.5	37.5	50	φ 70	M16深20	G1/8(1/4)	-	-	38	30	13	4-M8	1200

TK 系列

■固定式

眞空吸氣方向：縱向配管



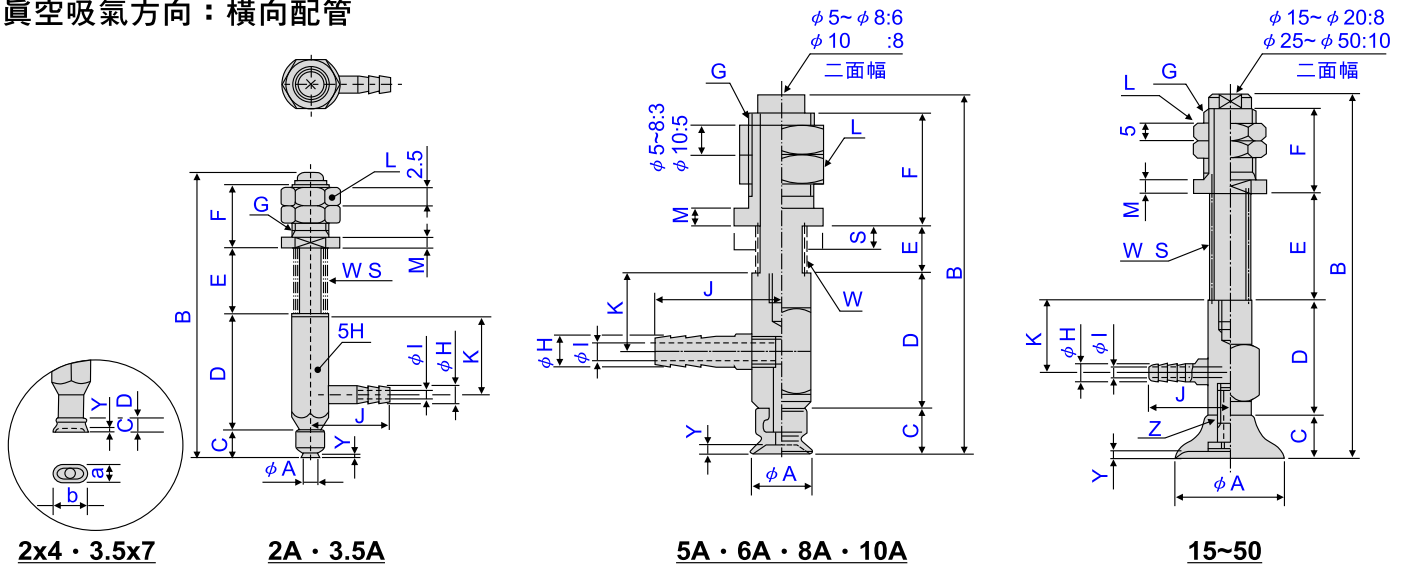
PA-TK	A	B	C	D	E	F	G	H	I	J	K	Y	Z	重量(g)
PA-TK-2A	2	23.5	4	3	-	M5xP0.5	φ 2.8	1.2	8.5	8	7H	0.5	-	8
PA-TK-2x4	2x4	24.7	1.7	6.5	-	M5xP0.5	φ 2.8	1.2	8.5	8	7H	0.5	-	8
PATK-3.5A	3.5	23.5	4	3	-	M5xP0.5	φ 2.8	1.2	8.5	8	7H	0.5	-	8
PA-TK-3.5x7	3.5x7	25.5	2.5	6.5	-	M5xP0.5	φ 2.8	1.2	8.5	8	7H	0.8	-	5
PA-TK-5A	5	30.5	6.5	14	-	M9xP1	5	2.5	10	12	12H	0.8	-	11
PA-TK-6A	6	30.5	6.5	14	-	M9xP1	5	2.5	10	12	12H	0.8	-	11
PA-TK-8A	8	31	7	14	-	M9xP1	5	2.5	10	12	12H	1.2	-	11
PA-TK-10A	10	46	7.5	22.5	10H	M9xP1	5	3	16	15.5	12H	1.5	-	15
PA-TK-15	15	46	8	22	10H	M8	5	3	16	15	10H	1.9	M5	20
PA-TK-20	20	48	10	22	10H	M8	5	3	16	15	10H	2.3	M5	20
PA-TK-25	25	62	14	32	14H	M10	5	3	16	20	14H	3	M6	40
PA-TK-30	30	60	12	32	14H	M10	5	3	16	20	14H	2	M6	40
PA-TK-35	35	62	14	32	14H	M10	5	3	16	20	14H	3	M6	40
PA-TK-40	40	62	14	32	14H	M10	5	3	16	20	14H	3.5	M6	40
PA-TK-50	50	63	15	32	14H	M10	5	3	16	20	14H	4	M8	50
PA-TK-60	60	58.5	18.5	40	21H	M16xP1.5	G1/8	5	-	23	21H	5	M10xP1.25	130
PA-TK-80	80	60.5	20.5	40	21H	M16xP1.5	G1/8	5	-	23	21H	6	M10xP1.25	170
PA-TK-95	93	61	21	40	21H	M16xP1.5	G1/8	5	-	23	21H	6	M10xP1.25	220

眞空吸盤

YS 系列

■彈簧式

眞空吸氣方向：橫向配管

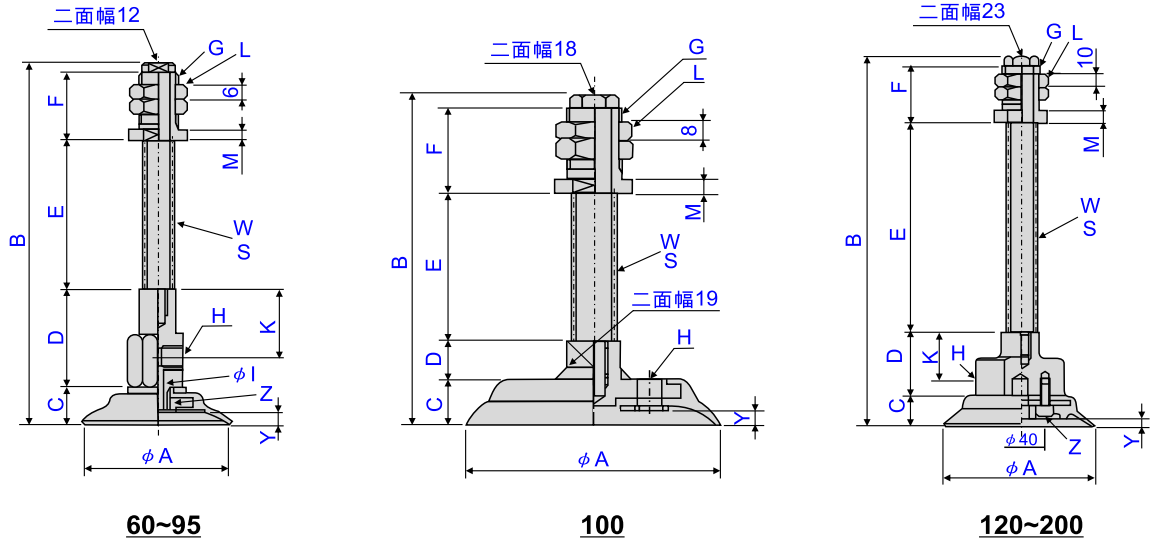


PA-YS	A	B	C	D	E	F	G	H	I	J	K	L	M	W(N)	S	Y	Z	重量(g)
PA-YS-2A-2.5	2	35.7	4	16.4	4.5	9	M5	φ2.8	1.2	11	11	7H	1.5	0.78	2.5	0.5	-	6
PA-YS-2A-5	2	40.7	4	16.4	9.5	9	M5	φ2.8	1.2	11	11	7H	1.5	0.78	5	0.5	-	7
* PA-YS-2x4-2.5	2x4	37.4	1.7	20.4	4.5	9	M5	φ2.8	1.2	11	11	7H	1.5	0.78	2.5	0.5	-	7
* PA-YS-2x4-5	2x4	42.4	1.7	20.4	9.5	9	M5	φ2.8	1.2	11	11	7H	1.5	0.78	5	0.5	-	7
PA-YS-3.5A-2.5	3.5	35.7	4	16.4	4.5	9	M5	φ2.8	1.2	11	11	7H	1.5	0.78	2.5	0.5	-	6
PA-YS-3.5A-5	3.5	40.7	4	16.4	9.5	9	M5	φ2.8	1.2	11	11	7H	1.5	0.78	5	0.5	-	7
* PA-YS-3.5x7-2.5	3.5x7	38.2	2.5	20.4	4.5	9	M5	φ2.8	1.2	11	11	7H	1.5	0.78	2.5	0.8	-	7
* PA-YS-3.5x7-5	3.5x7	43.2	2.5	20.4	9.5	9	M5	φ2.8	1.2	11	11	7H	1.5	0.78	5	0.8	-	7
PA-YS-5A-3	5	51	6.5	22.5	6	13	M9xP1	5	3	21	13	12H	2	0.98	3	0.8	-	28
PA-YS-5A-10	5	65	6.5	22.5	20	13	M9xP1	5	3	21	13	12H	2	0.98	10	0.8	-	31
PA-YS-5A-15	5	75	6.5	22.5	30	13	M9xP1	5	3	21	13	12H	2	0.98	15	0.8	-	33
PA-YS-5A-25	5	95	6.5	22.5	50	13	M9xP1	5	3	21	13	12H	2	0.98	25	0.8	-	38
PA-YS-6A-3	6	51	6.5	22.5	6	13	M9xP1	5	3	21	13	12H	2	0.98	3	0.8	-	28
PA-YS-6A-10	6	65	6.5	22.5	20	13	M9xP1	5	3	21	13	12H	2	0.98	10	0.8	-	31
PA-YS-6A-15	6	75	6.5	22.5	30	13	M9xP1	5	3	21	13	12H	2	0.98	15	0.8	-	33
PA-YS-6A-25	6	95	6.5	22.5	50	13	M9xP1	5	3	21	13	12H	2	0.98	25	0.8	-	38
PA-YS-8A-3	8	51.5	7	22.5	6	13	M9xP1	5	3	21	13	12H	2	0.98	3	1.2	-	28
PA-YS-8A-10	8	65.5	7	22.5	20	13	M9xP1	5	3	21	13	12H	2	0.98	10	1.2	-	31
PA-YS-8A-15	8	75.5	7	22.5	30	13	M9xP1	5	3	21	13	12H	2	0.98	15	1.2	-	33
PA-YS-8A-25	8	95.5	7	22.5	50	13	M9xP1	5	3	21	13	12H	2	0.98	25	1.2	-	38
PA-YS-10A-4	10	60	7.5	22.5	8	19	M11xP1	5	3	21	13	14H	3	2.94	4	1.5	-	43
PA-YS-10A-10	10	72	7.5	22.5	20	19	M11xP1	5	3	21	13	14H	3	2.94	10	1.5	-	48
PA-YS-10A-20	10	92	7.5	22.5	40	19	M11xP1	5	3	21	13	14H	3	2.94	20	1.5	-	55
PA-YS-10A-30	10	112	7.5	22.5	60	19	M11xP1	5	3	21	13	14H	3	2.94	30	1.5	-	62
PA-YS-15-4	15	60	8	22	8	19	M11xP1	5	3	21	14	14H	3	2.94	4	1.9	M5	44
PA-YS-15-10	15	72	8	22	20	19	M11xP1	5	3	21	14	14H	3	2.94	10	1.9	M5	48
PA-YS-15-20	15	92	8	22	40	19	M11xP1	5	3	21	14	14H	3	2.94	20	1.9	M5	55
PA-YS-15-30	15	112	8	22	60	19	M11xP1	5	3	21	14	14H	3	2.94	30	1.9	M5	63
PA-YS-20-4	20	62	10	22	8	19	M11xP1	5	3	21	14	14H	3	2.94	4	2.3	M5	48
PA-YS-20-10	20	64	10	22	20	19	M11xP1	5	3	21	14	14H	3	2.94	10	2.3	M5	80
PA-YS-20-20	20	94	10	22	40	19	M11xP1	5	3	21	17	14H	3	2.94	20	2.3	M5	57
PA-YS-20-30	20	114	10	22	60	19	M11xP1	5	3	21	17	14H	3	2.94	30	2.3	M5	64
PA-YS-25-6	25	87	14	32	13	24	M14xP1.5	5	3	23	20	17H	4	3.92	6	3.0	M6	93
PA-YS-25-15	25	104	14	32	30	24	M14xP1.5	5	3	23	20	17H	4	3.92	15	3.0	M6	102
PA-YS-25-30	25	134	14	32	60	24	M14xP1.5	5	3	23	20	17H	4	3.92	30	3.0	M6	120
PA-YS-25-50	25	174	14	32	100	24	M14xP1.5	5	3	23	20	17H	4	3.92	50	3.0	M6	143
PA-YS-30-6	30	85	12	32	13	24	M14xP1.5	5	3	23	20	17H	4	3.92	6	2.0	M6	93
PA-YS-30-15	30	102	12	32	30	24	M14xP1.5	5	3	23	20	17H	4	3.92	15	2.0	M6	103
PA-YS-30-30	30	132	12	32	60	24	M14xP1.5	5	3	23	20	17H	4	3.92	30	2.0	M6	120
PA-YS-30-50	30	172	12	32	100	24	M14xP1.5	5	3	23	20	17H	4	3.92	50	2.0	M6	145
PA-YS-35-6	35	87	14	32	13	24	M14xP1.5	5	3	23	20	17H	4	8.8	6	3.0	M6	96
PA-YS-35-15	35	104	14	32	30	24	M14xP1.5	5	3	23	20	17H	4	8.8	15	3.0	M6	105
PA-YS-35-30	35	134	14	32	60	24	M14xP1.5	5	3	23	20	17H	4	8.8	30	3.0	M6	123
PA-YS-35-50	35	174	14	32	100	24	M14xP1.5	5	3	23	20	17H	4	8.8	50	3.0	M6	147

YS 系列

■彈簧式

真空吸氣方向：橫向配管



60~95

100

120~200

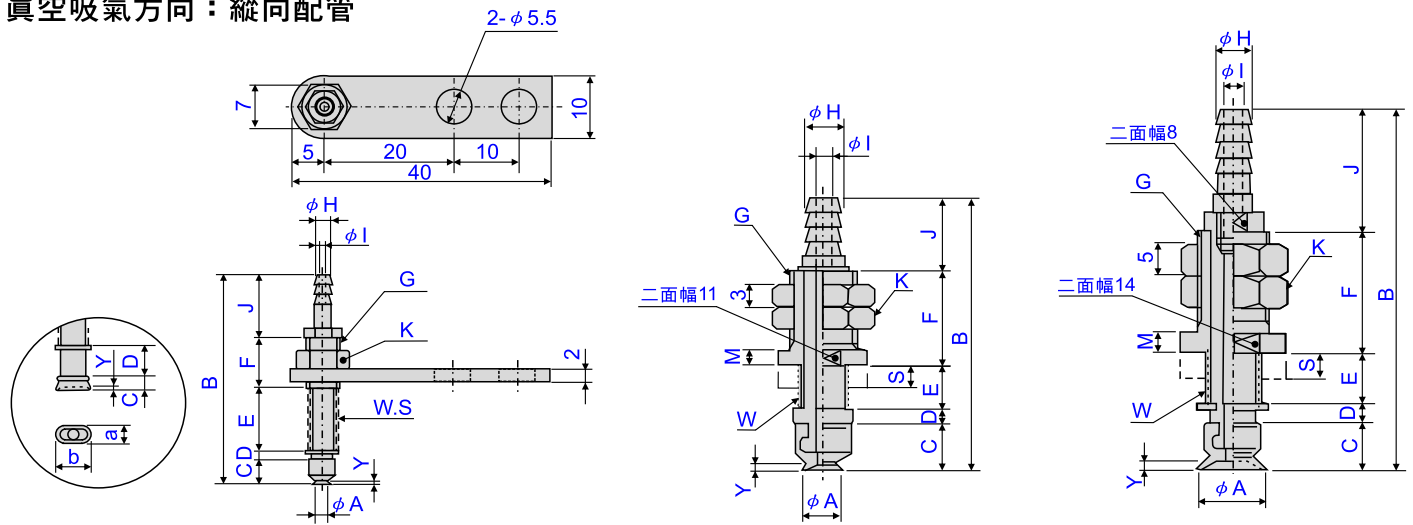
PA-YS	A	B	C	D	E	F	G	H	I	J	K	L	M	W(N)	S	Y	Z	重量(g)
PA-YS-40-6	40	87	14	32	13	24	M14xP1.5	5	3	23	20	17H	4	8.8	6	3.5	M6	99
PA-YS-40-15	40	104	14	32	30	24	M14xP1.5	5	3	23	20	17H	4	8.8	15	3.5	M6	108
PA-YS-40-30	40	134	14	32	60	24	M14xP1.5	5	3	23	20	17H	4	8.8	30	3.5	M6	126
PA-YS-40-50	40	174	14	32	100	24	M14xP1.5	5	3	23	20	17H	4	8.8	50	3.5	M6	149
PA-YS-50-6	50	88	15	32	13	24	M14xP1.5	5	3	23	20	17H	4	8.8	6	4.0	M8	103
PA-YS-50-15	50	105	15	32	30	24	M14xP1.5	5	3	23	20	17H	4	8.8	15	4.0	M8	112
PA-YS-50-30	50	135	15	32	60	24	M14xP1.5	5	3	23	20	17H	4	8.8	30	4.0	M8	130
PA-YS-50-50	50	175	15	32	100	24	M14xP1.5	5	3	23	20	17H	4	8.8	50	4.0	M8	154
PA-YS-60-10	60	110.5	18.5	40	20	28	M16xP1.5	RC1/8	5	-	28	21H	5	9.8	10	5.0	M10xP1.25	211
PA-YS-60-30	60	150.5	18.5	40	60	28	M16xP1.5	RC1/8	5	-	28	21H	5	9.8	30	5.0	M10xP1.25	187
PA-YS-60-50	60	190.5	18.5	40	100	28	M16xP1.5	RC1/8	5	-	28	21H	5	9.8	50	5.0	M10xP1.25	217
PA-YS-60-70	60	230.5	18.5	40	140	28	M16xP1.5	RC1/8	5	-	28	21H	5	9.8	70	5.0	M10xP1.25	247
PA-YS-80-10	80	112.5	20.5	40	20	28	M16xP1.5	RC1/8	5	-	28	21H	5	9.8	10	6.0	M10xP1.25	248
PA-YS-80-30	80	152.5	20.5	40	60	28	M16xP1.5	RC1/8	5	-	28	21H	5	9.8	30	6.0	M10xP1.25	223
PA-YS-80-50	80	192.5	20.5	40	100	28	M16xP1.5	RC1/8	5	-	28	21H	5	9.8	50	6.0	M10xP1.25	253
PA-YS-80-70	80	232.5	20.5	40	140	28	M16xP1.5	RC1/8	5	-	28	21H	5	9.8	70	6.0	M10xP1.25	283
PA-YS-95-10	93	113	21	40	20	28	M16xP1.5	RC1/8	5	-	28	21H	5	9.8	10	6.0	M10xP1.25	280
PA-YS-95-30	93	153	21	40	60	28	M16xP1.5	RC1/8	5	-	28	21H	5	9.8	30	6.0	M10xP1.25	255
PA-YS-95-50	93	193	21	40	100	28	M16xP1.5	RC1/8	5	-	28	21H	5	9.8	50	6.0	M10xP1.25	286
PA-YS-95-70	93	233	21	40	140	28	M16xP1.5	RC1/8	5	-	28	21H	5	9.8	70	6.0	M10xP1.25	315
PA-YS-100-15	100	106	19	16	30	35	M22xP1.5	RC1/8	-	-	-	27H	6	14.7	15	6.0	-	353
PA-YS-100-30	100	136	19	16	60	35	M22xP1.5	RC1/8	-	-	-	27H	6	14.7	30	6.0	-	395
PA-YS-100-50	100	176	19	16	100	35	M22xP1.5	RC1/8	-	-	-	27H	6	14.7	50	6.0	-	459
PA-YS-100-70	100	216	19	16	140	35	M22xP1.5	RC1/8	-	-	-	27H	6	14.7	70	6.0	-	523
PA-YS-120-20	120	203.5	25.5	50	75	45	M30xP1.5	RC1/8(1/4)	-	-	38	36H	10	14.7	20	6.0	4-M8	1240
PA-YS-120-100	120	293.5	25.5	50	165	45	M30xP1.5	RC1/8(1/4)	-	-	38	36H	10	14.7	100	6.0	4-M8	1440
PA-YS-150-20	150	210.5	32.5	50	75	45	M30xP1.5	RC1/8(1/4)	-	-	38	36H	10	14.7	20	9	4-M8	1480
PA-YS-150-100	150	300.5	32.5	50	165	45	M30xP1.5	RC1/8(1/4)	-	-	38	36H	10	14.7	100	9	4-M8	1680
PA-YS-200-20	200	215.5	37.5	50	75	45	M30xP1.5	RC1/8(1/4)	-	-	38	36H	10	14.7	20	13.0	4-M8	1800
PA-YS-200-100	200	305.5	37.5	50	165	45	M30xP1.5	RC1/8(1/4)	-	-	38	36H	10	14.7	100	13.0	4-M8	2000

眞空吸盤

TS 系列

■彈簧式

眞空吸氣方向：縱向配管



2x4 · 3.5x7

2A · 3.5A

5A · 6A · 8A

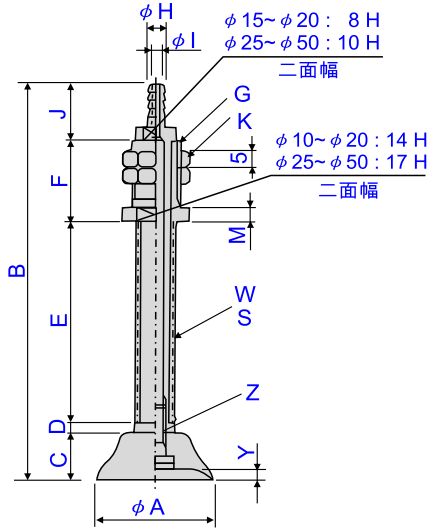
10A

PA-TS	A	B	C	D	E	F	G	H	I	J	K	M	W(N)	S	Y	Z	重量(g)
PA-TS-2A-2.5	2	28.5	4	1.4	5.1	8	M5xP0.5	φ2.8	1.2	10	7H	-	0.78	2.5	0.5	-	8
PA-TS-2A-5	2	33.5	4	1.4	10.1	8	M5xP0.5	φ2.8	1.2	10	7H	-	0.78	5	0.5	-	8
※ PA-TS-2x4-2.5	2x4	28.7	1.7	3.9	5.1	8	M5xP0.5	φ2.8	1.2	10	7H	-	0.78	2.5	0.5	-	8
※ PA-TS-2x4-5	2x4	33.7	1.7	3.9	10.1	8	M5xP0.5	φ2.8	1.2	10	7H	-	0.78	5	0.5	-	8
PA-TS-3.5A-2.5	3.5	28.5	4	1.4	5.1	8	M5xP0.5	φ2.8	1.2	10	7H	-	0.78	2.5	0.5	-	8
PA-TS-3.5A-5	3.5	33.5	4	1.4	10.1	8	M5xP0.5	φ2.8	1.2	10	7H	-	0.78	5	0.5	-	8
※ PA-TS-3.5x7-2.5	3.5x7	29.5	2.5	5	5	8	M5xP0.5	φ2.8	1.2	9	7H	-	0.78	2.5	0.8	-	8
※ PA-TS-3.5x7-5	3.5x7	34.5	2.5	5	10	8	M5xP0.5	φ2.8	1.2	9	7H	-	0.78	5	0.8	-	8
PA-TS-5A-3	5	37.5	6.5	2	6	13	M9xP1	5	2.2	10	12H	2	0.98	3	0.8	-	13
PA-TS-5A-10	5	51.5	6.5	2	20	13	M9xP1	5	2.2	10	12H	2	0.98	10	0.8	-	16
PA-TS-5A-15	5	61.5	6.5	2	30	13	M9xP1	5	2.2	10	12H	2	0.98	15	0.8	-	17
PA-TS-5A-25	5	81.5	6.5	2	50	13	M9xP1	5	2.2	10	12H	2	0.98	25	0.8	-	21
PA-TS-6A-3	6	37.5	6.5	2	6	13	M9xP1	5	2.2	10	12H	2	0.98	3	0.8	-	13
PA-TS-6A-10	6	51.5	6.5	2	20	13	M9xP1	5	2.2	10	12H	2	0.98	10	0.8	-	16
PA-TS-6A-15	6	61.5	6.5	2	30	13	M9xP1	5	2.2	10	12H	2	0.98	15	0.8	-	17
PA-TS-6A-25	6	81.5	6.5	2	50	13	M9xP1	5	2.2	10	12H	2	0.98	25	0.8	-	21
PA-TS-8A-3	8	38	7	2	6	13	M9xP1	5	2.2	10	12H	2	0.98	3	1.2	-	13
PA-TS-8A-10	8	52	7	2	20	13	M9xP1	5	2.2	10	12H	2	0.98	10	1.2	-	16
PA-TS-8A-15	8	62	7	2	30	13	M9xP1	5	2.2	10	12H	2	0.98	15	1.2	-	17
PA-TS-8A-25	8	82	7	2	50	13	M9xP1	5	2.2	10	12H	2	0.98	25	1.2	-	21
PA-TS-10A-4	10	56.5	7.5	3	8	19	M11xP1	5	3	19	14H	3	2.94	4	1.5	-	26
PA-TS-10A-10	10	68.5	7.5	3	20	19	M11xP1	5	3	19	14H	3	2.94	10	1.5	-	31
PA-TS-10A-20	10	88.5	7.5	3	40	19	M11xP1	5	3	19	14H	3	2.94	20	1.5	-	34
PA-TS-10A-30	10	108.5	7.5	3	60	19	M11xP1	5	3	19	14H	3	2.94	30	1.5	-	41
PA-TS-15-4	15	54	8	3	8	19	M11xP1	5	3	16	14H	3	2.94	4	1.9	M5	28
PA-TS-15-10	15	66	8	3	20	19	M11xP1	5	3	16	14H	3	2.94	10	1.9	M5	31
PA-TS-15-20	15	86	8	3	40	19	M11xP1	5	3	16	14H	3	2.94	20	1.9	M5	36
PA-TS-15-30	15	106	8	3	60	19	M11xP1	5	3	16	14H	3	2.94	30	1.9	M5	42
PA-TS-20-4	20	56	10	3	8	19	M11xP1	5	3	16	14H	3	2.94	4	2.3	M5	28
PA-TS-20-10	20	68	10	3	20	19	M11xP1	5	3	16	14H	3	2.94	10	2.3	M5	33
PA-TS-20-20	20	88	10	3	40	19	M11xP1	5	3	16	14H	3	2.94	20	2.3	M5	38
PA-TS-20-30	20	108	10	3	60	19	M11xP1	5	3	16	14H	3	2.94	30	2.3	M5	43
PA-TS-25-6	25	71	14	3	13	24	M14xP1.5	5	3	17	17H	4	3.92	6	3.0	M6	55
PA-TS-25-15	25	88	14	3	30	24	M14xP1.5	5	3	17	17H	4	3.92	15	3.0	M6	60
PA-TS-25-30	25	118	14	3	60	24	M14xP1.5	5	3	17	17H	4	3.92	30	3.0	M6	73
PA-TS-25-50	25	158	14	3	100	24	M14xP1.5	5	3	17	17H	4	3.92	50	3.0	M6	89
PA-TS-30-6	30	69	12	3	13	24	M14xP1.5	5	3	17	17H	4	3.92	6	2.0	M6	55
PA-TS-30-15	30	86	12	3	30	24	M14xP1.5	5	3	17	17H	4	3.92	15	2.0	M6	61
PA-TS-30-30	30	116	12	3	60	24	M14xP1.5	5	3	17	17H	4	3.92	30	2.0	M6	73
PA-TS-30-50	30	156	12	3	100	24	M14xP1.5	5	3	17	17H	4	3.92	50	2.0	M6	90
PA-TS-35-6	35	71	14	3	13	24	M14xP1.5	5	3	17	17H	4	8.8	6	3.0	M6	55
PA-TS-35-15	35	88	14	3	30	24	M14xP1.5	5	3	17	17H	4	8.8	15	3.0	M6	64
PA-TS-35-30	35	118	14	3	60	24	M14xP1.5	5	3	17	17H	4	8.8	30	3.0	M6	76
PA-TS-35-50	35	158	14	3	100	24	M14xP1.5	5	3	17	17H	4	8.8	50	3.0	M6	93

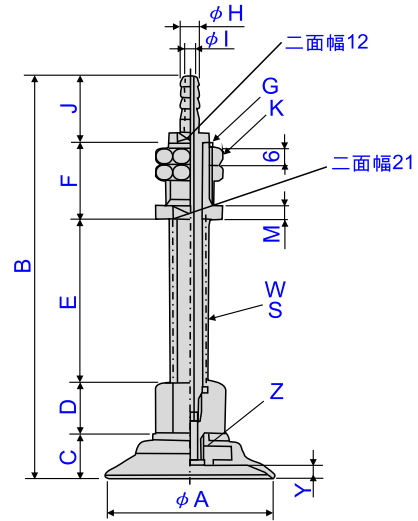
TS 系列

■彈簧式

眞空吸氣方向：縱向配管



15~50



60~95

PA-TS	A	B	C	D	E	F	G	H	I	J	K	M	W(N)	S	Y	Z	重量(g)
PA-TS-40-6	40	71	14	3	13	24	M14xP1.5	5	3	17	17H	4	8.8	6	3.5	M6	55
PA-TS-40-15	40	88	14	3	30	24	M14xP1.5	5	3	17	17H	4	8.8	15	3.5	M6	66
PA-TS-40-30	40	118	14	3	60	24	M14xP1.5	5	3	17	17H	4	8.8	30	3.5	M6	79
PA-TS-40-50	40	158	14	3	100	24	M14xP1.5	5	3	17	17H	4	8.8	50	3.5	M6	95
PA-TS-50-6	50	72	15	3	13	24	M14xP1.5	5	3	17	17H	4	8.8	6	4.0	M6	85
PA-TS-50-15	50	89	15	3	30	24	M14xP1.5	5	3	17	17H	4	8.8	15	4.0	M6	75
PA-TS-50-30	50	119	15	3	60	24	M14xP1.5	5	3	17	17H	4	8.8	30	4.0	M6	87
PA-TS-50-50	50	159	15	3	100	24	M14xP1.5	5	3	17	17H	4	8.8	50	4.0	M6	103
PA-TS-60-10	60	110.5	18.5	19	20	28	M16xP1.5	7	4.5	25	21H	5	9.8	10	5.0	M10xP1.25	172
PA-TS-60-30	60	150.5	18.5	19	60	28	M16xP1.5	7	4.5	25	21H	5	9.8	30	5.0	M10xP1.25	196
PA-TS-60-50	60	190.5	18.5	19	100	28	M16xP1.5	7	4.5	25	21H	5	9.8	50	5.0	M10xP1.25	214
PA-TS-60-70	60	230.5	18.5	19	140	28	M16xP1.5	7	4.5	25	21H	5	9.8	70	5.0	M10xP1.25	238
PA-TS-80-10	80	112.5	20.5	19	20	28	M16xP1.5	7	4.5	25	21H	5	9.8	10	6.0	M10xP1.25	208
PA-TS-80-30	80	152.5	20.5	19	60	28	M16xP1.5	7	4.5	25	21H	5	9.8	30	6.0	M10xP1.25	233
PA-TS-80-50	80	192.5	20.5	19	100	28	M16xP1.5	7	4.5	25	21H	5	9.8	50	6.0	M10xP1.25	250
PA-TS-80-70	80	232.5	20.5	19	140	28	M16xP1.5	7	4.5	25	21H	5	9.8	70	6.0	M10xP1.25	275
PA-TS-95-10	93	113	21	19	20	28	M16xP1.5	7	4.5	25	21H	5	9.8	10	6.0	M10xP1.25	241
PA-TS-95-30	93	153	21	19	60	28	M16xP1.5	7	4.5	25	21H	5	9.8	30	6.0	M10xP1.25	265
PA-TS-95-50	93	193	21	19	100	28	M16xP1.5	7	4.5	25	21H	5	9.8	50	6.0	M10xP1.25	283
PA-TS-95-70	93	233	21	19	140	28	M16xP1.5	7	4.5	25	21H	5	9.8	70	6.0	M10xP1.25	307