

BRH綫性滑軌系列

特點:

- ※內建式免潤滑系統
- ※四方向等負載設計
- ※運行順暢新型鋼珠循環方式
- ※高鋼性-四排珠45度角接觸
- ※世界標準規格尺寸
- ※高精度，低摩擦系數，低維修成本
- ※高移動速度，低噪音
- ※全密封式油封，可互換設計



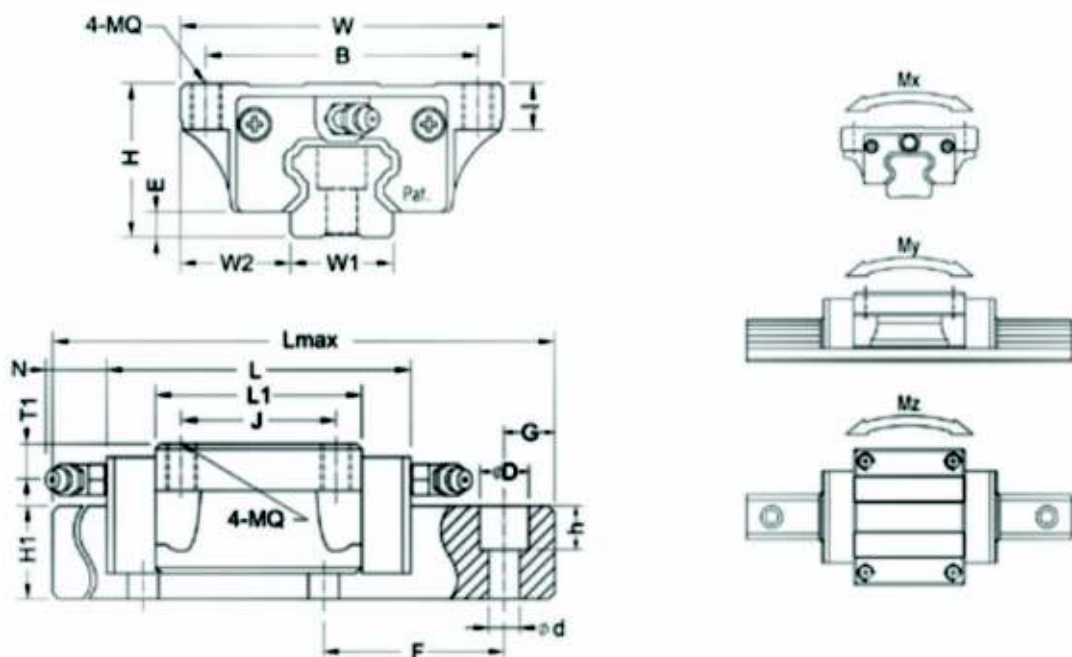
訂購方式

BRH 20 A 2 N ZF A X L500
1 **2** **3** **4** **5** **6** **7** **8** **9**

| | | |
|---|--------|-----------------------------|
| 1 | 系 列 | BRH綫性滑軌 |
| 2 | 尺寸編號 | 15,20,25,30,35, |
| 3 | 法蘭型式 | A:有法蘭螺紋型 AL:加長式有法蘭螺紋型 |
| | | B:無法蘭螺紋型 BL:加長式無法蘭螺紋型 |
| | | C:有法蘭光孔型 CL::加長式有法蘭光孔型 |
| 4 | 滑塊數量 | 1:一個滑塊 2:二個滑塊 3:三個滑塊 |
| 5 | 精度等級 | N:普通級 H:高級 P:精密級 sp:超精密級 |
| 6 | 預壓 | ZF:微間隙 Z0:零間隙 Z1:輕預壓 Z2:中預壓 |
| 7 | 配件 | A:含上防塵及側防塵(適用於BRH20,25,30) |
| | | B:含金屬刮刷片 |
| | | C:含上防塵及側防塵金屬刮刷片 |
| | | T:含單邊儲油箱 U:含雙邊儲油箱 |
| 8 | 滑軌特殊加工 | X:染黑 H:鍍硬鉻 P:磷酸碱 |
| | | N:鍍化鎳 E:滑軌特殊加工孔 |
| 9 | 滑軌長度 | L:500mm長 |

BRH-A/AL綫性滑軌系列

外觀尺寸

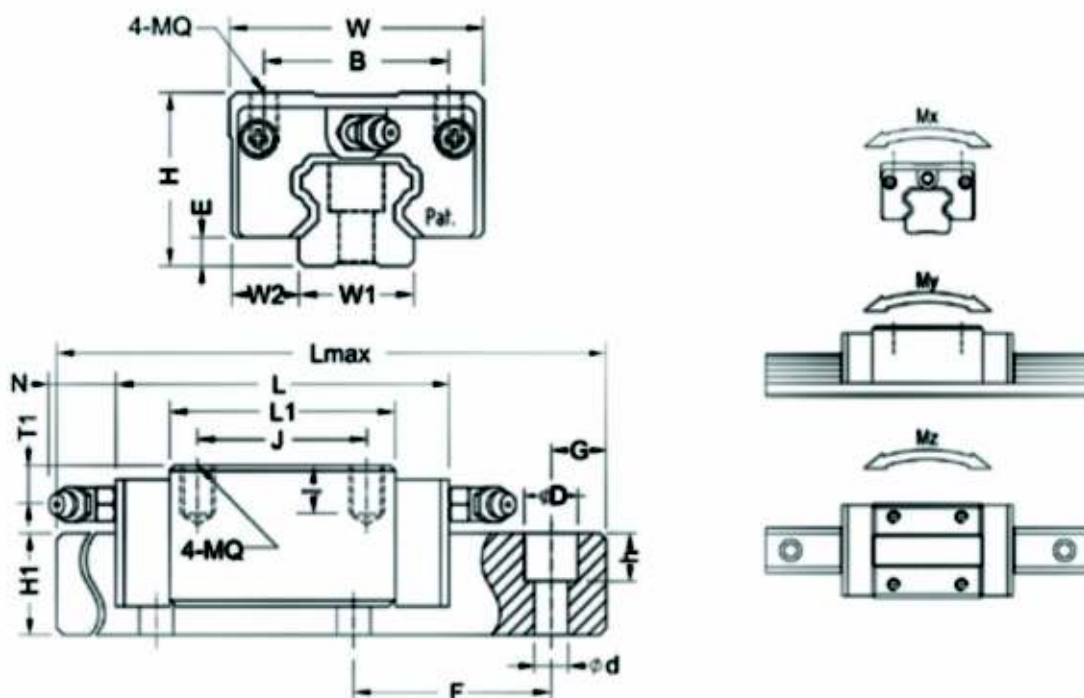


規格表

| 型號. | 參考資料(mm) | | 基本荷重(kgf) | | 容許靜力矩(kgfm) | | | 重量 | |
|---------|----------|------|-----------|-----------|-------------|------|------|--------|----------|
| | Lmax | G | 動額定負荷(C) | 靜額定負荷(C0) | Mx | My | Mz | 滑塊(kg) | 滑軌(kg/M) |
| BRH15A | 4000 | 20 | 850 | 1650 | 10 | 8 | 8 | 0.21 | 1.4 |
| BRH20A | 4000 | 20 | 1450 | 2560 | 22 | 18 | 18 | 0.4 | 2.6 |
| BRH20AL | | | 1900 | 3330 | 28.6 | 23.4 | 23.4 | 0.52 | |
| BRH25A | 4000 | 20 | 2140 | 4000 | 36 | 32 | 31 | 0.57 | 3.6 |
| BRH25AL | | | 2996 | 5600 | 50.4 | 44.8 | 43.4 | 0.72 | |
| BRH30A | 4000 | 20 | 2980 | 5490 | 60 | 50 | 49 | 1.1 | 5.2 |
| BRH30AL | | | 3900 | 7190 | 78.5 | 65 | 65 | 1.4 | |
| BRH35A | 4000 | 20 | 3960 | 7010 | 96 | 75 | 73 | 1.6 | 7.2 |
| BRH35AL | | | 5230 | 9270 | 125 | 95 | 95 | 2 | |
| BRH45A | 4000 | 22.5 | 6740 | 12100 | 216 | 170 | 168 | 2.7 | 12.3 |
| BRH45AL | | | 8330 | 14950 | 267 | 210 | 210 | 3.6 | |

| 型號. | 組合尺寸(mm) | | | | 滑座尺寸(mm) | | | | | | | 滑軌尺寸(mm) | | | |
|---------|----------|-----|------|-----|----------|----------|----------|-------|--------|-----|------|----------|----|-----|-----------------|
| | H | W | W2 | E | L | BxJ | MQx | L1 | 油孔 | T1 | N | W1 | H1 | F | d × D × h |
| BRH15A | 24 | 47 | 16 | 4.6 | 66 | 38 × 30 | M5 × 8 | 40 | 3 | 4.3 | 5 | 15 | 14 | 60 | 4.5 × 7.5 × 5.3 |
| BRH20A | 30 | 63 | 21.5 | 5 | 77.8 | 53 × 40 | M6 × 9 | 48.8 | M6 × 1 | 7 | 15.6 | 20 | 18 | 60 | 6 × 9.5 × 8.5 |
| BRH20AL | | | | | 92.4 | | | 63.4 | | | | | | | |
| BRH25A | 36 | 70 | 23.5 | 7 | 88 | 57 × 45 | M8 × 12 | 57 | M6 × 1 | 7.8 | 15.6 | 23 | 22 | 60 | 7 × 11 × 9 |
| BRH25AL | | | | | 110.1 | | | 79.1 | | | | | | | |
| BRH30A | 42 | 90 | 31 | 9 | 109 | 72 × 52 | M10 × 12 | 72 | M6 × 1 | 7 | 15.6 | 28 | 26 | 80 | 9 × 14 × 12 |
| BRH30AL | | | | | 131.3 | | | 94.3 | | | | | | | |
| BRH35A | 48 | 100 | 33 | 9.5 | 109 | 82 × 62 | M10 × 13 | 80 | M6 × 1 | 8 | 15.6 | 34 | 29 | 80 | 9 × 14 × 12 |
| BRH35AL | | | | | 134.8 | | | 105.8 | | | | | | | |
| BRH45A | 60 | 120 | 37.5 | 14 | 138.2 | 100 × 80 | M12 × 15 | 105 | M8 × 1 | 8.5 | 16 | 45 | 38 | 105 | 14 × 20 × 17 |
| BRH45AL | | | | | 163 | | | 129.8 | | | | | | | |

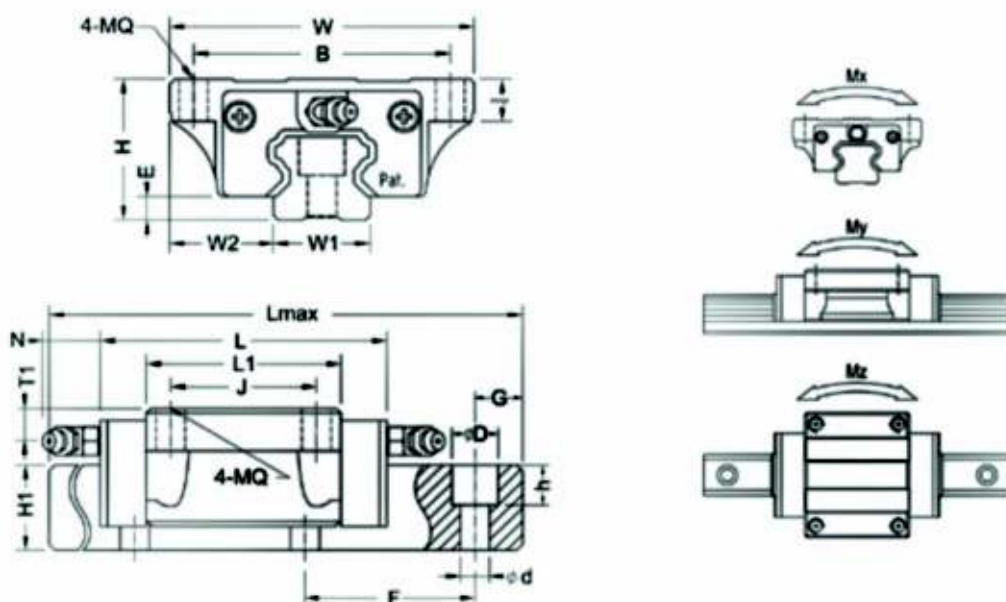
BRH-B/BL綫性滑軌系列



| 型號. | 組合尺寸(mm) | | | | 滑座尺寸(mm) | | | | | | 滑軌尺寸(mm) | | | | |
|-------------------|----------|----|------|-----|--------------|----------------|----------|--------------|------|------|----------|----|----|-----|-------------|
| | H | W | W2 | E | L | BxJ | MQx | L1 | 油孔 | T1 | N | W1 | H1 | F | dxDxh |
| BRH15B | 28 | 34 | 9.5 | 4.6 | 66 | 26x26 | M4x6 | 40 | φ 3 | 8.3 | 5 | 15 | 14 | 60 | 4.5x7.5x5.3 |
| BRH20B BRH20BL | 30 | 44 | 12 | 5 | 77.8 92.4 | 32x36 32x50 | M5x8 | 48.8 63.4 | M6x1 | 7 | 15.6 | 20 | 18 | 60 | 6x9.5x8.5 |
| BRH25B BRH25BL | 40 | 48 | 12.5 | 7 | 88 110.1 | 35x35 35x50 | M6x10 | 57 79.1 | M6x1 | 11.8 | 15.6 | 23 | 22 | 60 | 7x11x9 |
| BRH30B BRH30BL | 45 | 60 | 16 | 9 | 109 131.3 | 40x40 40x60 | M8x13 | 72 94.3 | M6x1 | 10 | 15.6 | 28 | 26 | 80 | 9x14x12 |
| BRH35B BRH35BL | 55 | 70 | 18 | 9.5 | 109 134.8 | 50x50 50x72 | M8x13 | 80 105.8 | M6x1 | 15 | 15.6 | 34 | 29 | 80 | 9x14x12 |
| BRH45B | 70 | 86 | 20.5 | 14 | 138.2 | 60x60 | M10x16.5 | 105 | M8x1 | 18.5 | 16 | 45 | 38 | 105 | 14x20x17 |

| 型號. | 參考資料(mm) | | 基本荷重(kgf) | | 容許靜力矩(kgfm) | | | 重量 | |
|-------------------|----------|------|--------------|----------------|-------------|------------|------------|--------------|----------|
| | Lmax | G | 動額定負荷 (C) | 靜額定負荷 (C0) | Mx | My | Mz | 滑塊(kg) | 滑軌(kg/M) |
| BRH15B | 4000 | 20 | 850 | 1650 | 10 | 8 | 8 | 0.19 | 1.4 |
| BRH20B BRH20BL | 4000 | 20 | 1450 1900 | 2560 3330 | 22 28.6 | 18 23.4 | 18 23.4 | 0.31 0.47 | 2.6 |
| BRH25B BRH25BL | 4000 | 20 | 2140 2996 | 4000 5600 | 36 50.4 | 32 44.8 | 31 43.4 | 0.45 0.56 | 3.6 |
| BRH30B BRH30BL | 4000 | 20 | 2980 3900 | 5490 7190 | 60 78.5 | 50 65 | 49 65 | 0.91 1.2 | 5.2 |
| BRH35B BRH35BL | 4000 | 20 | 3960 5230 | 7010 9270 | 96 125 | 75 95 | 73 95 | 1.5 1.9 | 7.2 |
| BRH45B BRH45BL | 4000 | 22.5 | 6740 8330 | 12100 14950 | 216 267 | 170 210 | 168 210 | 2.3 2.8 | 12.3 |

BRH-C/CL綫性滑軌系列



| 型號 | 組合尺寸(mm) | | | | 滑座尺寸(mm) | | | | | | | 滑軌尺寸(mm) | | | |
|---------|----------|-----|------|-----|----------|--------|-------|-------|------|-----|------|----------|----|-----|-------------|
| | H | W | W2 | E | L | BxJ | MQx | L1 | 油孔 | T1 | N | W1 | H1 | F | dxDxh |
| BRH15C | 24 | 47 | 16 | 4.6 | 66 | 38x30 | 4.5x8 | 40 | φ 3 | 4.3 | 5 | 15 | 14 | 60 | 4.5x7.5x5.3 |
| BRH20C | 30 | 63 | 21.5 | 5 | 77.8 | 53x40 | 6x9 | 48.8 | M6x1 | 7 | 15.6 | 20 | 18 | 60 | 6x9.5x8.5 |
| BRH20CL | | | | | 92.4 | | | 63.4 | | | | | | | |
| BRH25C | 36 | 70 | 23.5 | 7 | 88 | 57x45 | 7x12 | 57 | M6x1 | 7.8 | 15.6 | 23 | 22 | 60 | 7x11x9 |
| BRH25CL | | | | | 110.1 | | | 79.1 | | | | | | | |
| BRH30C | 42 | 90 | 31 | 9 | 109 | 72x52 | 9x12 | 72 | M6x1 | 7 | 15.6 | 28 | 26 | 80 | 9x14x12 |
| BRH30CL | | | | | 131.3 | | | 94.3 | | | | | | | |
| BRH35C | 48 | 100 | 33 | 9.5 | 109 | 82x62 | 9x13 | 80 | M6x1 | 8 | 15.6 | 34 | 29 | 80 | 9x14x12 |
| BRH35CL | | | | | 134.8 | | | 105.8 | | | | | | | |
| BRH45C | 60 | 120 | 37.5 | 14 | 138.2 | 100x80 | 11x15 | 105 | M8x1 | 8.5 | 16 | 45 | 38 | 105 | 14x20x17 |
| BRH45CL | | | | | 163 | | | 129.8 | | | | | | | |

| 型號 | 參考資料(mm) | | 基本荷重(kgf) | | 容許靜力矩(kgfm) | | | 重量 | |
|---------|----------|------|-----------|-----------|-------------|------|------|--------|----------|
| | Lmax | G | 動額定負荷(C) | 靜額定負荷(CO) | Mx | My | Mz | 滑塊(kg) | 滑軌(kg/M) |
| BRH15C | 4000 | 20 | 850 | 1650 | 10 | 8 | 8 | 0.21 | 1.4 |
| BRH20C | 4000 | 20 | 1450 | 2560 | 22 | 18 | 18 | 0.4 | 2.6 |
| BRH20CL | | | 1900 | 3330 | 28.6 | 23.4 | 23.4 | 0.52 | |
| BRH25C | 4000 | 20 | 2140 | 4000 | 36 | 32 | 31 | 0.57 | 3.6 |
| BRH25CL | | | 2996 | 5600 | 50.4 | 44.8 | 43.4 | 0.72 | |
| BRH30C | 4000 | 20 | 2980 | 5490 | 60 | 50 | 49 | 1.1 | 5.2 |
| BRH30CL | | | 3900 | 7190 | 78.5 | 65 | 65 | 1.4 | |
| BRH35C | 4000 | 20 | 3960 | 7010 | 96 | 75 | 73 | 1.6 | 7.2 |
| BRH35CL | | | 5230 | 9270 | 125 | 95 | 95 | 2 | |
| BRH45C | 4000 | 22.5 | 6740 | 12100 | 216 | 170 | 168 | 2.7 | 12.3 |
| BRH45CL | | | 8330 | 14950 | 267 | 210 | 210 | 3.6 | |